



Project Name:

Type:

Catalog#:

The PTK series is an economy high efficiency LED fixture designed for exterior round pole post top lighting. With glare-free Type V optic, it distributes light in a wide and uniform 360° pattern that is perfect for large outdoor areas such as parking lots and walkways. The external air-cooling fins allows it Max. 150W power to replace 400W MH.

### Ordering SKU:

SKU	Wattage	CCT	Optic	Color	Mounting	Input Voltage
<b>PTK</b>	<b>60W=60W</b>	<b>50K=5000K</b>	<b>T5=Type V, Std</b>	(blank)=Black, Std	(blank)=3" base, Std	(blank)=120-277V, Std
	<b>100W=100W</b>	<b>40K=4000K</b>		<b>BR=Bronze</b>		<b>HV=347-480V</b>
	<b>150W=150W</b>	<b>30K=4000K</b>		<b>WH=White</b>		
				<b>GR=Gray</b>		

### Specs:

Family Model	Wattage	Lumens	lm/W	CCT	CRI
PTK-60W	60W	78,00lm	130lm/W	3000K/4000K/5000K	75+
PTK-100W	100W	13,000lm	130lm/W	3000K/4000K/5000K	75+
PTK-150W	150W	19,500lm	130lm/W	3000K/4000K/5000K	75+

# Features & Specs

## Construction:

- Compact die cast aluminum housing.
- Superior heat sinking with hidden Air-Flow fins.
- IP65 for wet and damp locations.

## Mounting:

- Post top mount to fit 2 3/8" & 3" pole.

## Electrical:

- High Power Factor, low THD UL listed driver with 5KV surge protection.
- Universal line voltage input 120-277V, 347/480V optional.

## Optical:

- Standard wide beam Type V.

## Controls Options:

- NEMA Photocell

## Warranty:

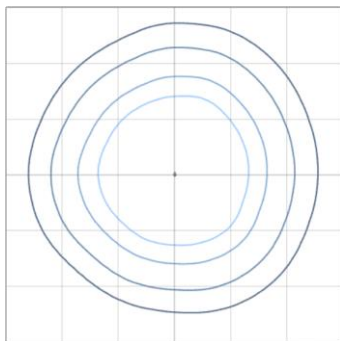
- 5 years warranty for complete fixture.

## Listings:

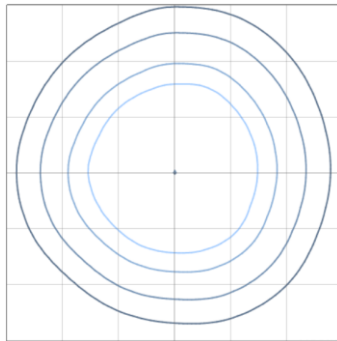
- UL
- DLC
- RoHs
- IP65



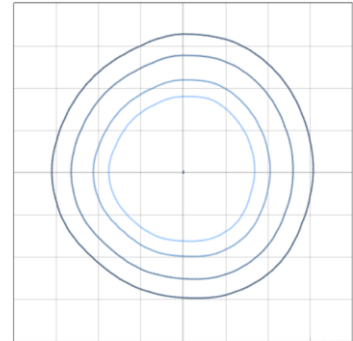
## Photometrics (MH=20')



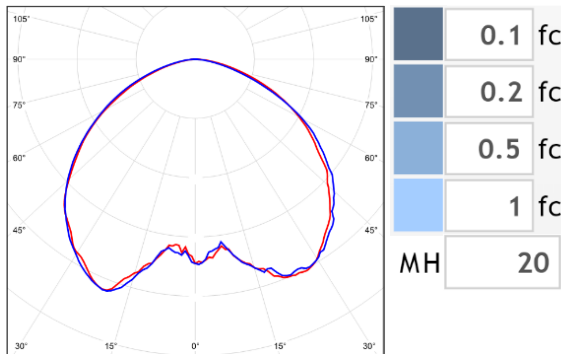
60W@20FT



100W@20FT

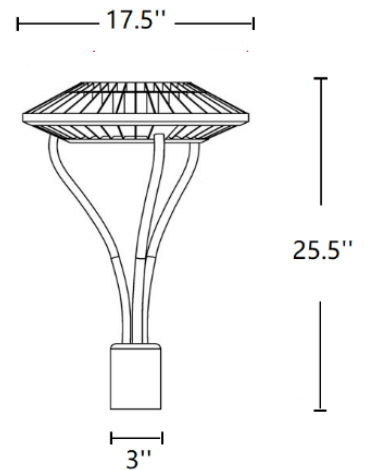


150W@20FT



Polar Distribution

## Dimensions:



One Size