



Project Name:

Type:

Catalog#:

The ACR is a traditional Acorn post top area light fixture that built with EX-LITE's most advanced LED light engine and lighting control technologies. It offers historical light fixture styling combined with modern energy saving & reliability.

Ordering SKU:

| Model | Wattage | CCT | Control | Color | Voltage |
|-----------------|---------|-----------|----------------------|--------------------|-----------------------|
| ACR | 25W=25W | 30K=3000K | (blank)=none, Std | (blank)=Black, Std | (blank)=120/277V, Std |
| =Acorn Post Top | 40W=40W | 40K=4000K | PCB=Button Photocell | BR=Bronze | HV=480V |
| | 60W=60W | 50K=5000K | | WH=White | |
| | 80W=80W | | | GR=Gray | |

Specs:

| Family Model | Wattage | Lumens | lm/W | CCT | CRI |
|--------------|---------|---------|---------|-------------------|-----|
| ACR-25W | 25W | 3,000lm | 120lm/W | 3000K/4000K/5000K | 80+ |
| ACR-40W | 40W | 4,800lm | 120lm/W | 3000K/4000K/5000K | 80+ |
| ACR-60W | 60W | 7,200lm | 120lm/W | 3000K/4000K/5000K | 80+ |
| ACR-80W | 80W | 9,600lm | 120lm/W | 3000K/4000K/5000K | 80+ |

Features & Specs

Construction:

- Die cast aluminum housing.
- Stylish historical design.
- IP65 for wet and damp locations.

Mounting:

- Post top mount to fit 2 3/8" & 3" round pole.
- Need tenon adapter for square poles.

Electrical:

- High Power Factor, low THD UL listed driver with 5KV surge protection.
- Universal line voltage input 120-277V, 347/480V optional.

Optical:

- Standard wide beam Type V
- Glare-free and unbreakable Polycarbonate lens

Controls Options:

- Button photocell
- CASAMBI intelligent control

Warranty:

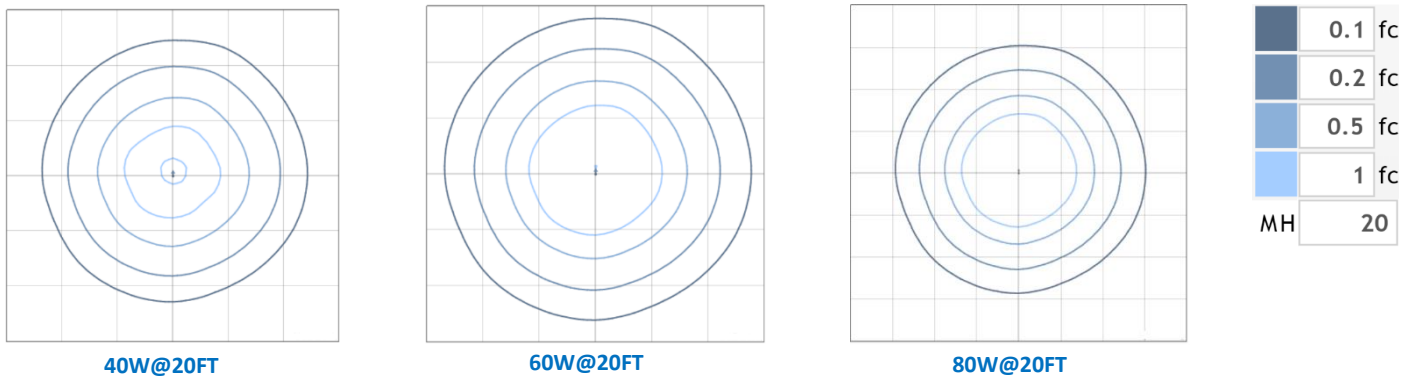
- 5 years warranty for complete fixture.

Listings:

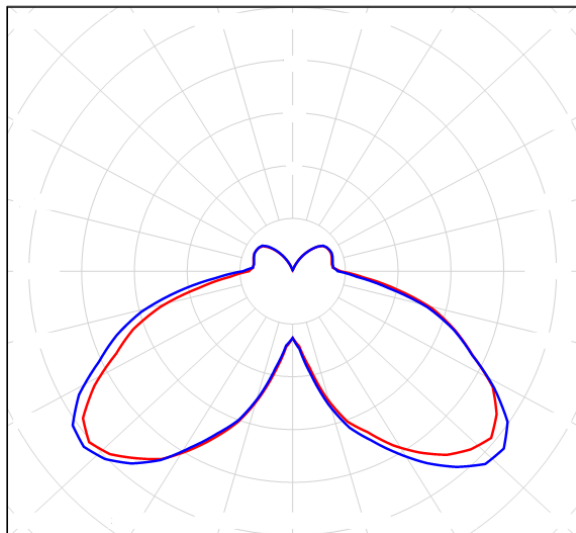
ETL
DLC Pending
RoHs
IP65



Photometrics (MH=20' grid):



Polar Distribution



Dimensions (one size):

