



CCT & Wattage Selectable UFO High Bay



Project Name:

Type:

Catalog#:

EXB is a high efficacy LED high bay luminaire designed for industrial and commercial interior lighting.

It has such a clean low-profile look that even satisfies retail commercial applications thanks to its hidden cooling fins and integrated sensor design.

Construction:

- Compact die cast aluminum housing.
- Superior heat sinking with hidden Air-Flow fins.
- IP65 for wet and damp locations.
- Integrated occupancy sensor.

Mounting:

- Spring lock hook & eye ring for chain suspension mount.
- Pendant mount.
- Yoke mount.

Electrical:

- High Power Factor, low THD UL listed driver with 5KV surge protection.
- Universal line voltage input 120-277V, 347/480V optional.
- 0-10V dimmable.
- Three wattage outputs selectable.

Optical:

- Standard wide beam lens 120 degrees.
- Prismatic Ploy reflector optional.
- 4000K & 5000K duo CCT selectable.

Controls Options:

- Integrated Bi-Level Occupancy sensor.
- Emergency backup.

Warranty:

- 5 years warranty for complete fixture.

Ambient:

- 40°C to 55°C



PROJECT NAME: _____ CATALOG NUMBER: _____

NOTES: _____ FIXTURE TYPE: _____

Features & Specs



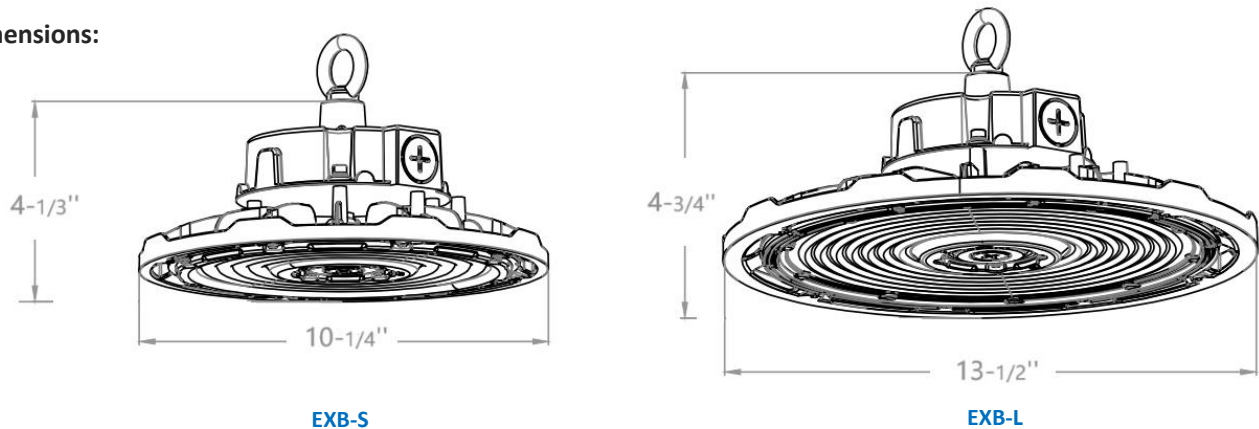
Specs:

Family Model	Wattage(Selectable)	CCT(Selectable)	lm/W	Lumens	CRI
EXB-S	100W/80W/75W	4000K/5000K	150lm/W	15,000lm/12,000lm/11,250lm	80+
EXB-L	240W/200W/150W	4000K/5000K	150lm/W	36,000lm/30,000lm/22,500lm	80+

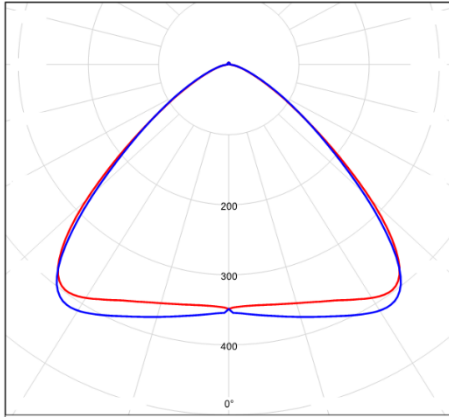
Ordering Information:

Family Model	Wattage	Control	Reflector	Voltage	Mounting	Cord	Plug
EXB	S =100W/80W/75W	(blank)=none, Std	(blank)=none, Std	(blank)=120/277VAC, Std	(blank)=Eye Ring, Std	6', Std	L5-15P
	L =240W/200W/150W	EM =Emergency Backup	PC =Polycarbonate	HV =347/480VAC	PM =3/4" Pendant Moun	12'	L7-15P
		OCC01 =On/Off sensor	AL =Aluminium		YK =Yoke Mount	18'	L8-20P
		OCC02 =Bi-Level Sensor				24'	

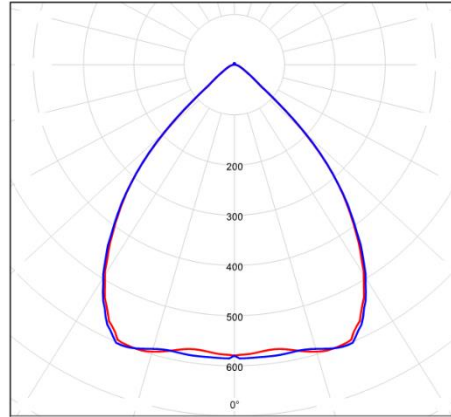
Dimensions:



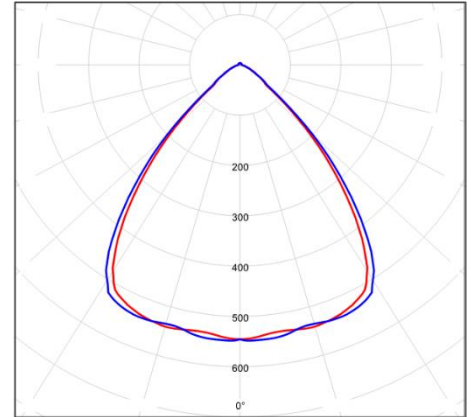
Photometrics (Contact us for layout design)



(Standard 110° wide beam Lens)



(Aluminum Reflector Lens)



(Polycarbonate Reflector Lens)

Emergency Version (for all models)

Features:

- Meets safety standards for EM lighting, UL 924.
- Battery protections include over charge protection, over discharge protection & short circuit protection.
- Emergency driver & battery are built inside fixture internally.

Electrical:

- Universal line voltage input 120-277V, 347/480V optional.

Battery:

- Li-ion battery-14.8V/2000mAH, last for 90 minutes.
- Charging time 24 hours.

Operation:

- When AC power goes out, the emergency driver detects the AC power outage and will automatically switch to emergency mode. The green indicator will turn off. Fixture will drop from full brightness to 3,000 lumens.
- When the AC power is restored, the emergency driver will return to AC power working mode and starts re-charging. Green indicator will turn on. Fixture will return to full brightness.

EM Specifications:

Output Lumens	Output A	Output V	Output Watt	Duration	Capacity
3,000 lm	310-600mA	25-48VDC	15W	90 minutes	14.8V/2000mAH

